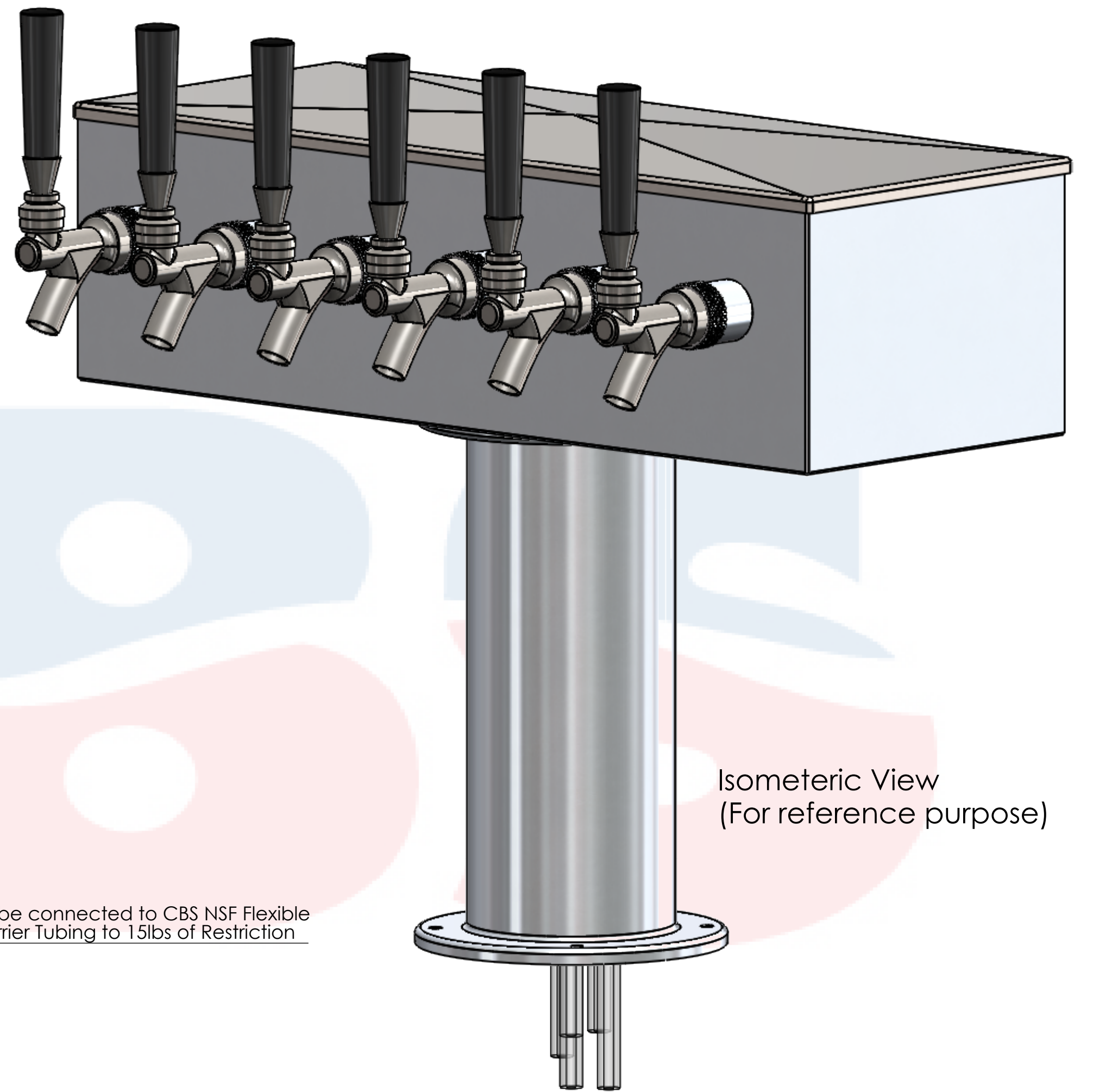
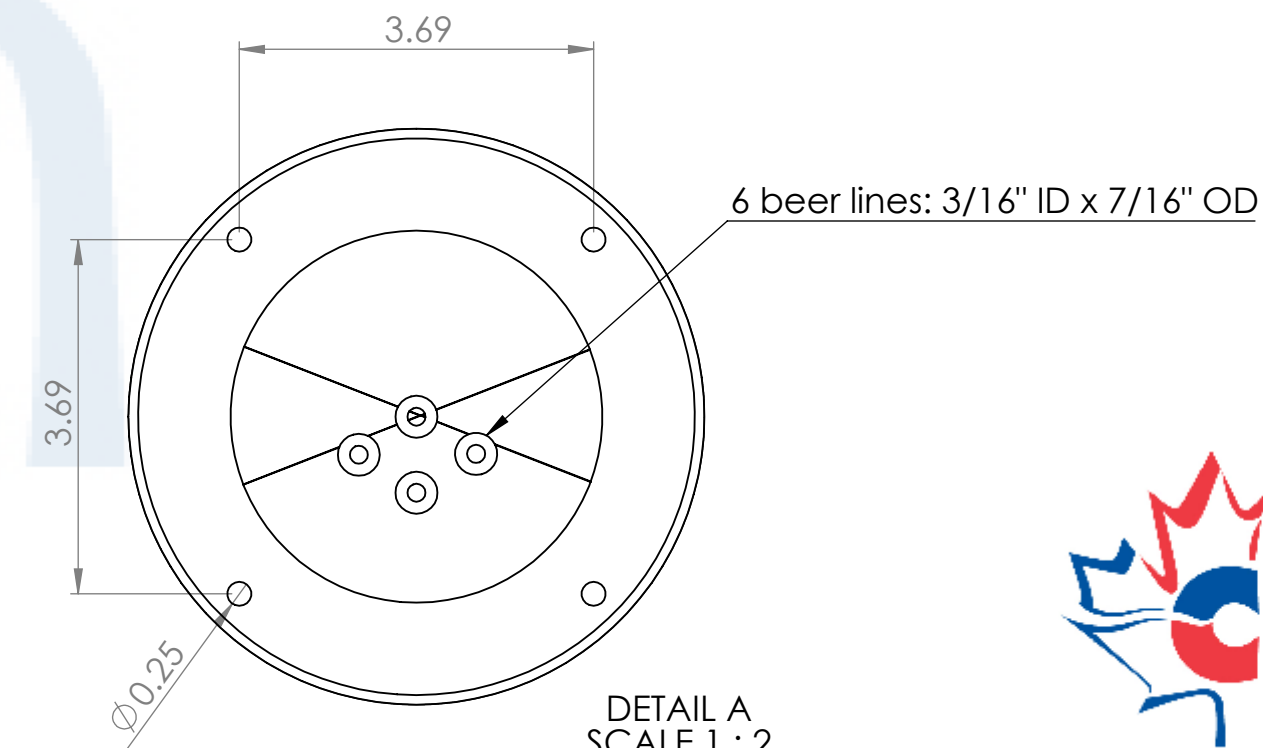
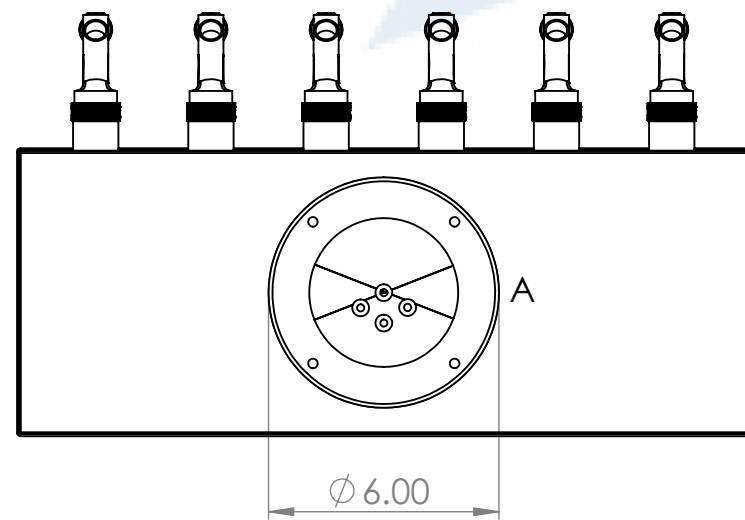


304SS tube connected to CBS NSF Flexible Total Barrier Tubing to 15lbs of Restriction



Isometric View
(For reference purpose)



DETAIL A
SCALE 1 : 2

Suggested Drip Tray:
BB701320 - 20" x 7" BSS Drip Tray
BB702420 - 20" x 7" BSS Spray Drip Tray



Name		Date		Title:	
Drawn by:	Canadian Beverage Supply Inc.	07/16/2020		6 TAP 4" T - TOWER	
Approved by:		VP Sales		Part Number: BB102020-06	
Material:	304 SS	Finish:	Brushed SS	Revision:	
Unless otherwise mentioned, dimensions are inches				SCALE: 1:5	